



US005495831A

United States Patent [19]

[11] **Patent Number:** **5,495,831**

Paul et al.

[45] **Date of Patent:** **Mar. 5, 1996**

[54] **VALVE ACTUATING MECHANISM FOR AN INTERNAL COMBUSTION ENGINE**

4,799,463	1/1989	Konno	123/90.16
4,809,663	3/1989	De Tomaso	123/432
4,844,023	7/1989	Konno et al.	123/90.16
5,101,778	4/1992	Fukuo et al.	123/90.16

[75] **Inventors:** **Michael Paul**, Bad Friedrichshall; **Peter Hubschle**; **Wilhelm Hannibal**, both of Neckarsulm, all of Germany

FOREIGN PATENT DOCUMENTS

[73] **Assignee:** **Audi AG**, Germany

0235981	9/1987	European Pat. Off. .
0342007	11/1989	European Pat. Off. .
3800347	9/1988	Germany .
216014	10/1985	Japan .
1158772	5/1985	U.S.S.R. .

[21] **Appl. No.:** **290,893**

[22] **PCT Filed:** **Feb. 5, 1993**

[86] **PCT No.:** **PCT/EP93/00276**

§ 371 Date: **Sep. 30, 1994**

Primary Examiner—Weilun Lo
Attorney, Agent, or Firm—Lalos & Keegan

§ 102(e) Date: **Sep. 30, 1994**

[87] **PCT Pub. No.:** **WO93/17227**

PCT Pub. Date: **Sep. 2, 1993**

[57] **ABSTRACT**

[30] **Foreign Application Priority Data**

Feb. 21, 1992 [DE] Germany 42 05 230.0

An actuating mechanism for three inlet valves of a cylinder of an internal combustion engine has three first rocker arms, each of which actuates an inlet valve and is actuated by a first cam for a lower revolution speed range, and two second rocker arms which are arranged between adjacent first rocker arms and are actuated by second cams for the upper speed range. The first and second rocker arms are coupled in the upper speed range so that the valves are actuated in accordance with the contour of the second cams.

[51] **Int. Cl.⁶** **F01L 13/00; F01L 1/26**

[52] **U.S. Cl.** **123/90.16; 123/90.22**

[58] **Field of Search** 123/90.15, 90.16, 123/90.17, 90.22, 90.27, 90.39, 90.44, 90.4, 308, 432

[56] **References Cited**

U.S. PATENT DOCUMENTS

4,762,096 8/1988 Kamm et al. 123/90.16

10 Claims, 5 Drawing Sheets

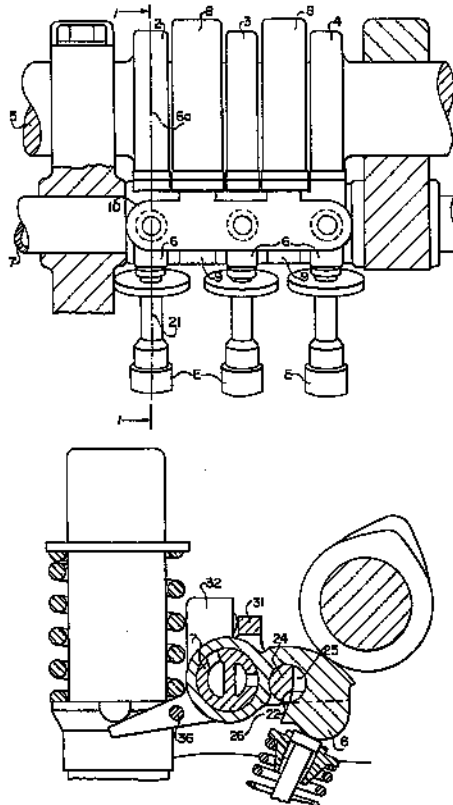


FIG. 1

